

SDA002

Assembly Instruction

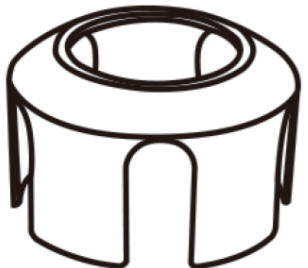

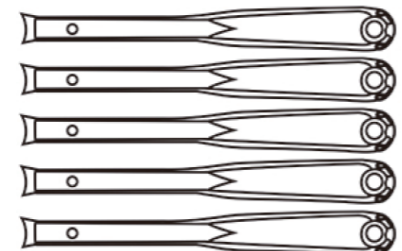
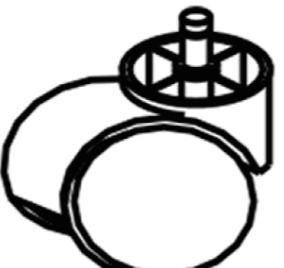


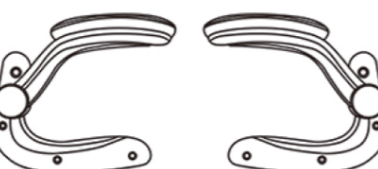
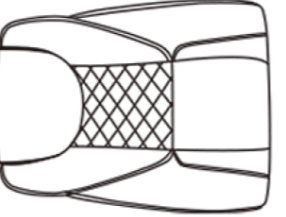








Scan the QR code to watch the installation video.



INSTALLATION VIDEO.

Accessories List

(1) Central Base Buckle 	(2) Central Base Tube 	(3) Split Base Tube 	(4) 5 Castors 	
(5) Air Rod 	(6) Base Plate 	(7) 2 Armrests 	(8) Backrest 	(9) Seat Cushion 
(10) 8 Decoration Caps 	(11) Hexagon Wrench 	(12) 4 Screws (M6x25)  M6×25	(13) 5 Screws (M6x25)  M6×25	(14) 8 Screws (M6x25)  M6×25

Notice [If any question, contact Guessky-service@outlook.com/Guessky-Spt@outlook.com]

Do not stand in this chair or use the chair as a step ladder use it as chair only. This chair is designed for one person to use at a time.

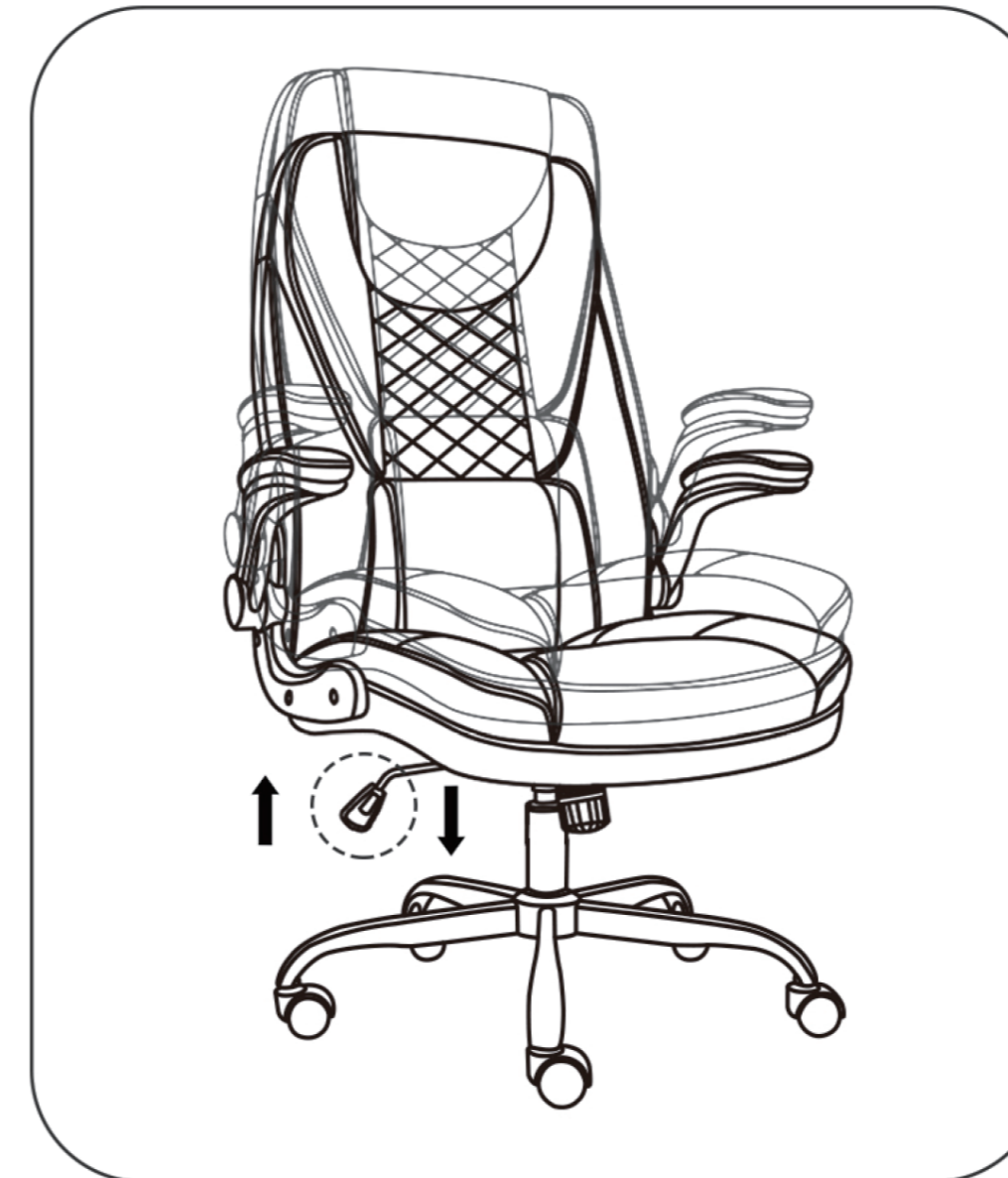
This chair is designed for one person weighing up to 300lb (136kg).

Do not use this chair unless all bolts, screws and knobs are firmly secured.

Check all bolts, screws and knobs every 90days. Tighten if any are loose.

Failure to follow these instructions may result in serious injury or death of yourself and people around you. Some of the parts are heavy and/or have sharp edge, please install it carefully to avoid hurting you and people around you.

Instructions for Use



Upward /Downward adjustment



Armrest adjustment



135° Rocking fuction



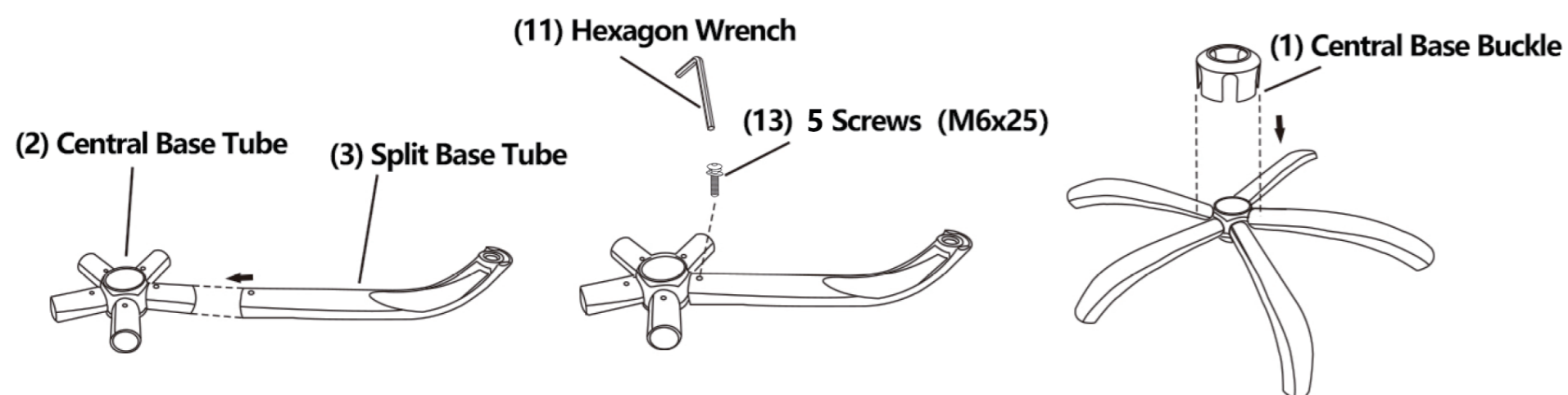
300LB(136kg)

Thanks for purchasing our products. Please read this manual before assembly. And please assemble in order. After the assembly, keep the instruction properly. Make sure all the parts are included (14 kinds in total).

Assembly Instruction

Step 1

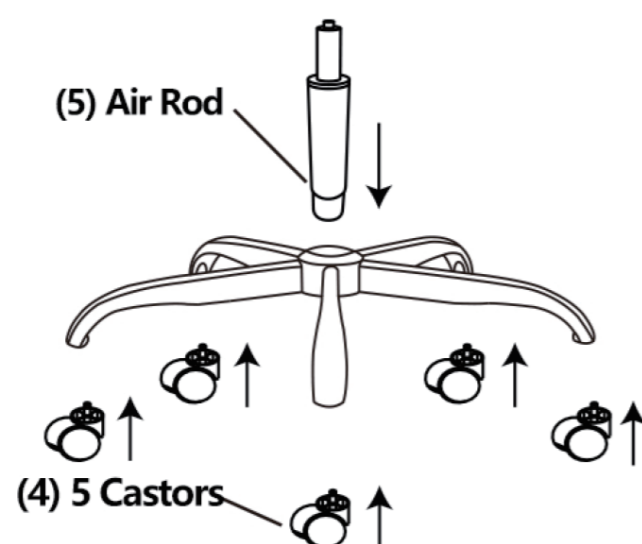
Take out Split Base Tube(3), Central Base Tube(2) and Central Base Buckle(1). Insert Split Base Tube(3) into Central Base Tube(2) as shown. You can see there are screw holes. Align with the holes, tighten Screws M6X25 (13) with Hexagon Wrench (11) to fix 5 Split Base Tube (3) to Central Base Tube (2). Repeat it 5 times. Finally, attach the Central Base buckle (1) to the Central Base Tube (2).



Step 2

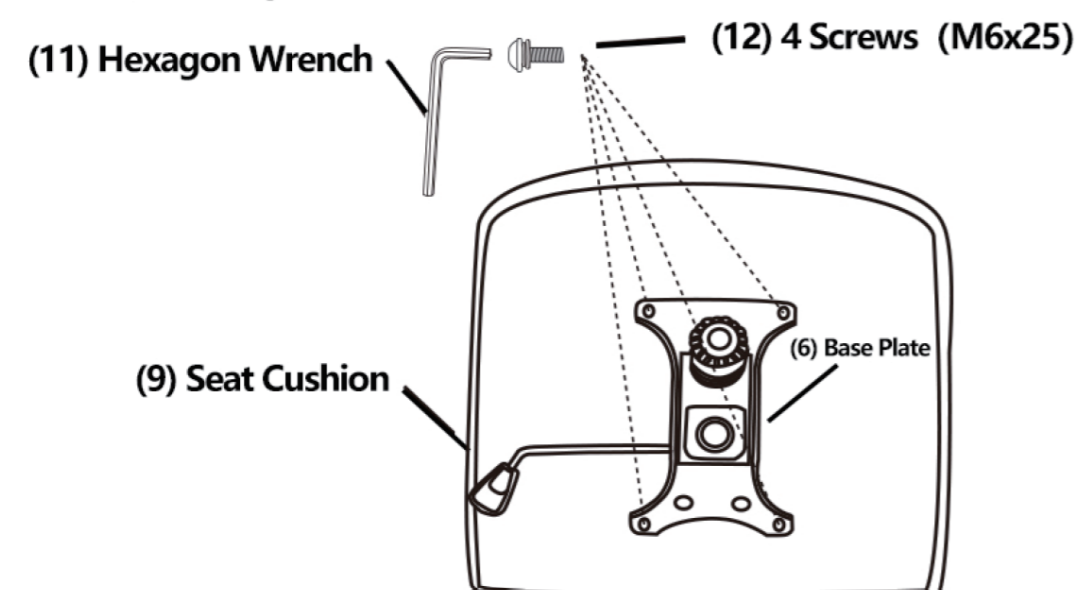
Take out Castors (4). Insert Castors (4) into part of Step 1 as shown. There are 5 Castors(4) need to be inserted.

* Caution: Confirm Castors(4) must be inserted deeply. Otherwise the castors could easily fall out and the chair could fall down. Take out Air Rod (5). Put Air Rod(5) into the hole of Central Base Tube(2) as shown. Put it aside and we'll use it in Step 5.



Step 3

Fix Base Plate (6) to the bottom of Seat Cushion (9). Tighten the Screws M6X25(12) with Hexagon Wrench (11) firmly.

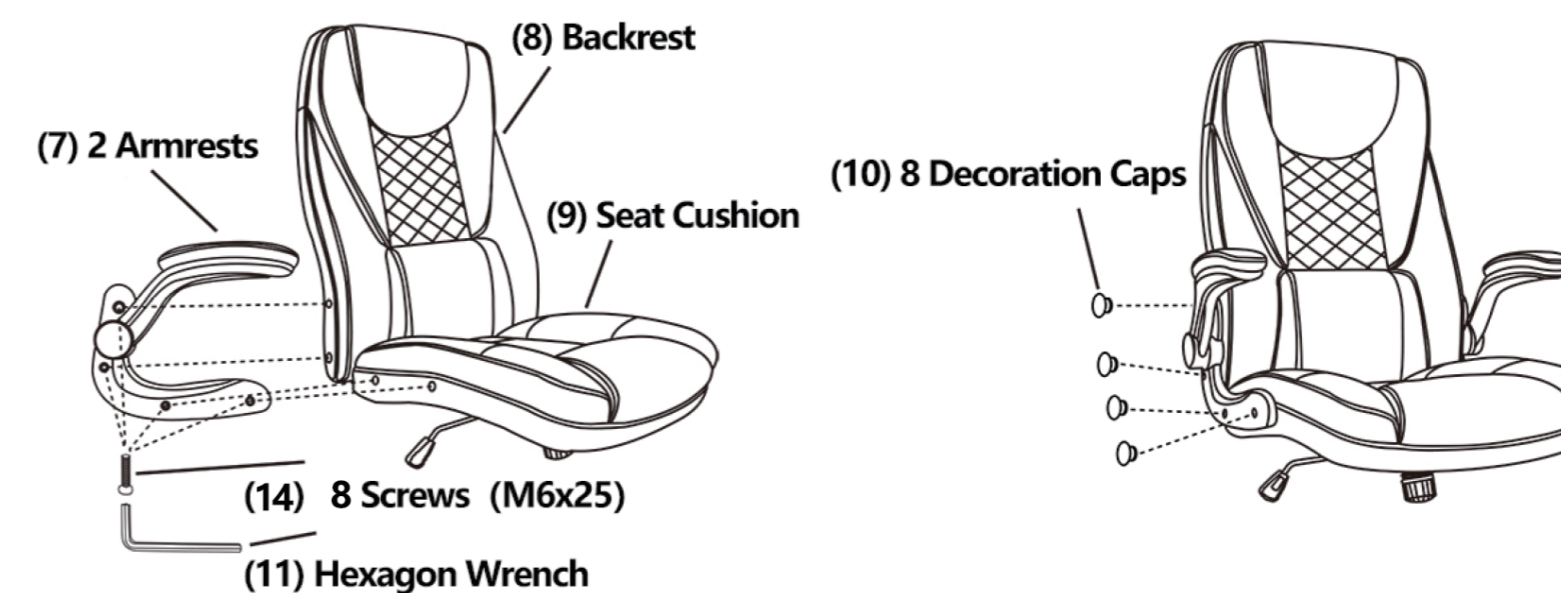


Step 4

Tighten the Screws M6X25(14) with Hexagon Wrench (11) and fix the 2 Armrests (7) between Backrest (8) and Seat Cushion (9). Tighten the 8 screws firmly and then cover the screws with Decoration Caps(10).

* Caution: Do not tighten the bolts before the product is fully assembled.

* Caution: When you connect the armrest with the cushion, if the hole position of the armrest is not aligned with the hole position of the cushion, please force the armrest to align with the hole position of the cushion and install the screw.

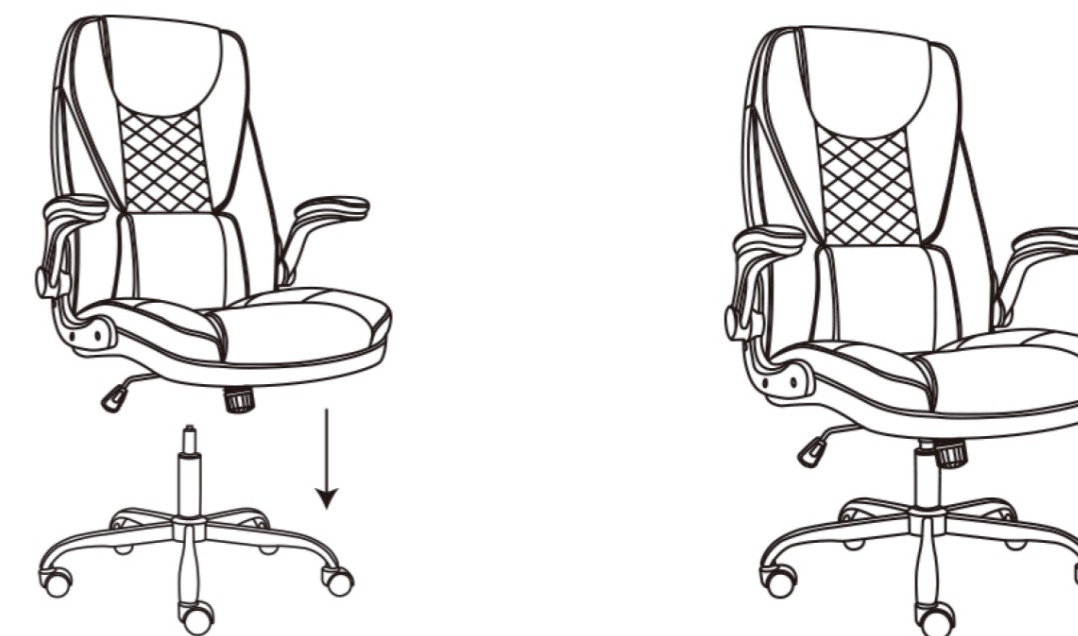


Step 5

Pick up the Step 2's Air Rod (5) and Central Base Tube(2). Insert the Air Rod (5) into Step 3's Base Plate (6). There's a hole in the middle of Base Plate(6). Press the Seat Cushion(9) from top to bottom, use your whole body's strength to insert it firmly, the assembly is complete now.

* Caution: If the Air Rod (5) doesn't insert to Base Plate (6) firmly, it's likely to fall off when the chair rises up.

* Caution: After the product is fully assembled, check the screws for tightening.



Activate Your Warranty Now!

We guarantee you a pleasant buying experience. Please scan the QR code to activate your warranty so that you can enjoy priority better after-sales service.

