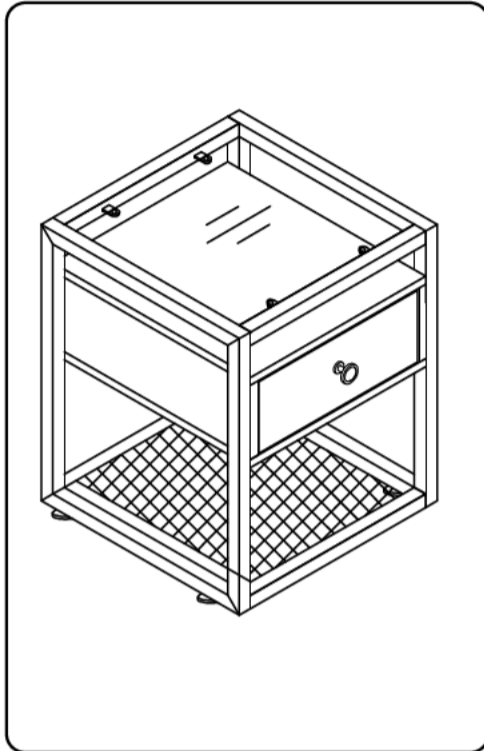
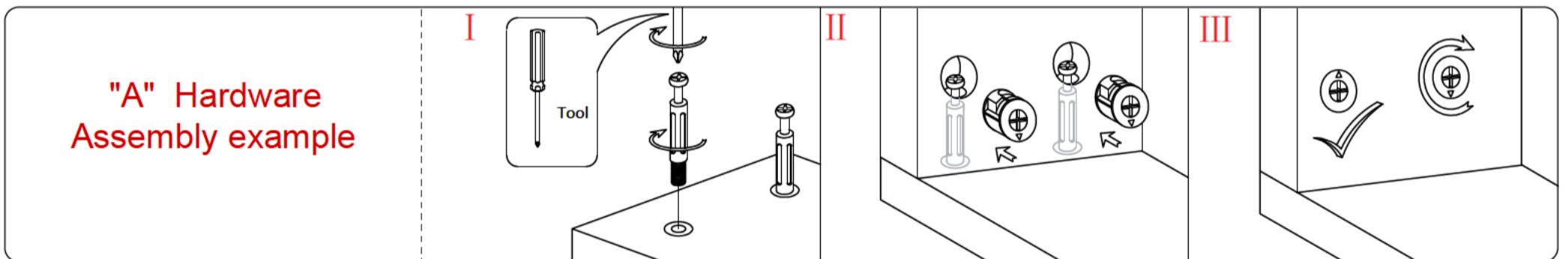


Assembly Instructions



Components						Screws&Tools					
1		1	8		1	A			8		
2		1	9		1	B		M5*50mm	12		
3		1	10		1	D		M5*70mm	4		
4		1	11		1	G		M6*35mm	8		
5		1	12		2	S		M4*18mm	1		
6		1	13		2	K		1	X		4
7		1	14		1	Y		4			



Step A: Main Frame Assembly ①

1

Y
4PCS

2

G
M6*35mm
4PCS

3

B
M5*50mm
4PCS

StepA: Main Frame Assembly ②

<p>4</p> <p>B M5*50mm 4PCS</p>	<p>5</p> <p>D M5*70mm 4PCS</p>	<p>6</p> <p>A 4PCS</p>
--	--	----------------------------

StepA: Main Frame Assembly ③

<p>7</p> <p>Pay attention to the location of this part and place it on the outside to prevent the drawer from being pulled out.</p> <p>A 4PCS</p> <p>Tips: For the tightening method of A screw, please refer to "A" Hardware Assembly example</p>	<p>8</p> <p>G M6*35mm 4PCS</p>
--	--

StepB: Drawer Assembly ①

<p>9</p> <p>A 4PCS</p>	<p>11</p>	<p>10</p> <p>B M5*50mm 4PCS</p>	<p>S</p> <p>M4*18mm 1PCS</p>
----------------------------	-----------	---	----------------------------------

StepB: Drawer Assembly ②

10

11

X
4PCS

StepC: Tighten all screws

12