



# SPYDER<sup>®</sup>

## Electric Pressure Washer

### Assembly, Care and Use Instructions

Read carefully. Retain these instructions and attach receipt to manual for future reference.



**ALWAYS WEAR EYE PROTECTION TO PREVENT INJURY TO EYES WHEN OPERATING THE POWER WASHER.**



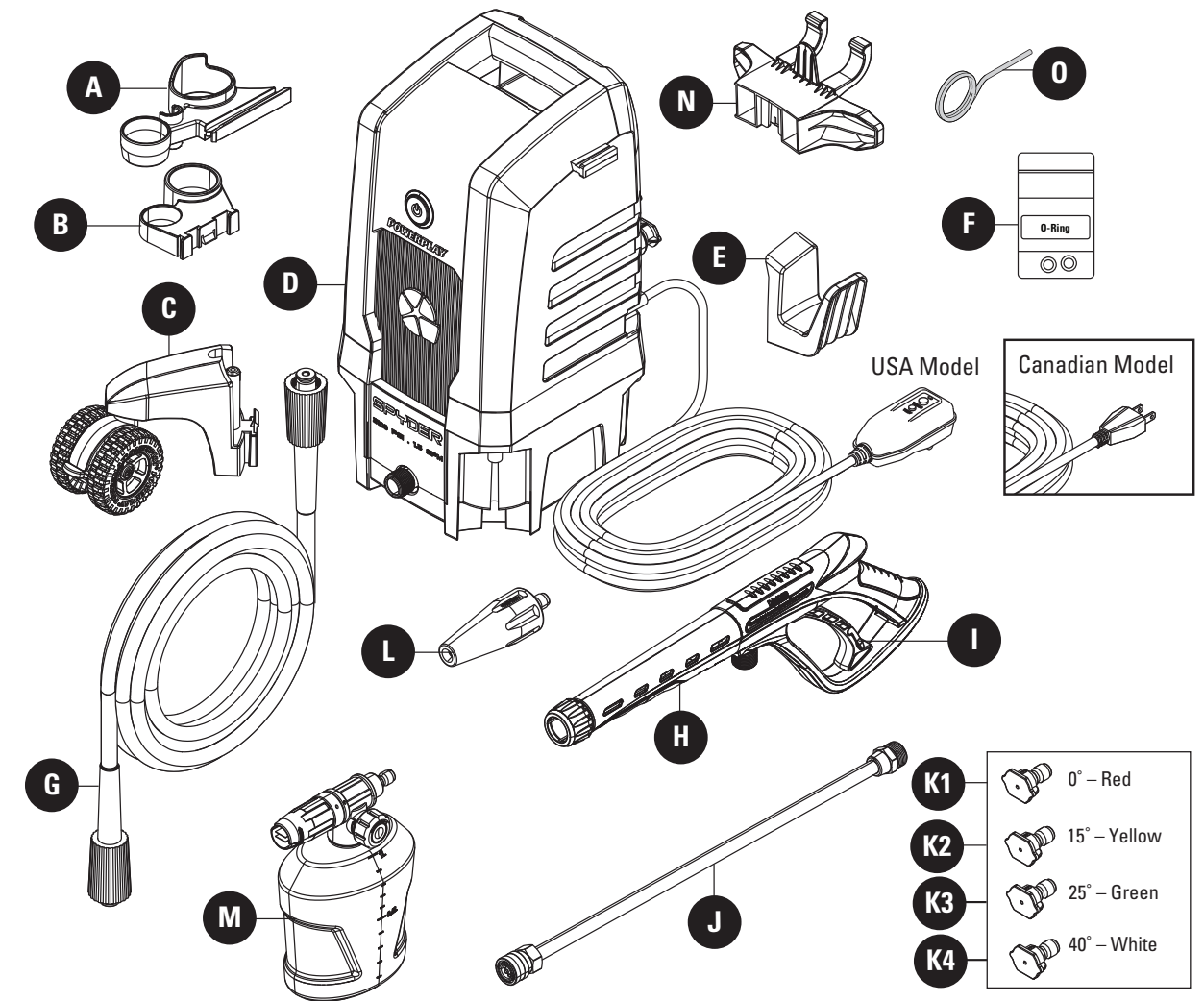
#### Questions, problems, missing parts?

Before returning to your retailer, contact our customer service department at 1-855-770-7529 or [custserv@powerplaypro.com](mailto:custserv@powerplaypro.com), 8:00 a.m. - 4:00 p.m., EST, Monday - Friday. [www.powerplaypro.com](http://www.powerplaypro.com)

## Table of Contents

Package Contents .....	2
Product Specifications .....	2
Safety Information .....	3
GFCI .....	4
Preparation .....	5
Assembly Instructions .....	5
Important Initial Startup .....	10
Operating Instructions .....	10
Care and Maintenance .....	12
Troubleshooting .....	13
Two Year Limited Consumer Warranty .....	14
Replacement Parts .....	15

## Package Contents



Part	Description	Quantity
A	Upper Spray Gun Holder	1
B	Lower Spray Gun Holder	1
C	Casters	4
D	Power Washer Unit	1
E	Hose Holder Bracket	1
F	O-Ring Replacement Kit	1
G	15' Flexwash® Pro Hose with M22 Fittings	1
H	Spray Gun with M22 Fitting	1
I	Spray Gun Safety Lock	1

Part	Description	Quantity
J	Steel Lance with QC	1
K1	0° High Pressure Spray Tip - Red	1
K2	15° High Pressure Spray Tip - Yellow	1
K3	25° High Pressure Spray Tip - Green	1
K4	40° High Pressure Spray Tip - White	1
L	Turbo Nozzle	1
M	1000 ML Foam Cannon with QC	1
N	Foam Cannon Bracket	1
O	Spray Tip Cleaner	1

## Product Specifications

PSI (lbs/sq. in.)	GPM (Gal/per min)	Water Temperature	Volts	Amps	Weight (lbs.)
2030	1.5 max	Cold water only	120	13	24.10

## Safety Information

### IMPORTANT SAFETY INSTRUCTIONS

Please read and understand this entire manual before attempting to assemble, operate, or install the product.

This manual contains information that relates to PROTECTING PERSONAL SAFETY and PREVENTING EQUIPMENT PROBLEMS. It is very important to read this manual carefully and understand it thoroughly before using the product. The symbols listed below are used to indicate this information.



#### DANGER

Potential hazard that **will result in serious injury or loss of life.**



#### WARNING

Hazard that **could result in serious injury or loss of life.**



#### CAUTION

Potential hazard that **may result in moderate injury or damage to equipment.**

**Note:** The word “Note” is used to inform the reader of something the operator needs to know about the tool.



#### WARNING

To reduce the risk of injury, the user must read and understand the instructions before using this product.

- **WARNING** – When using this product, basic, precautions should always be followed, including the following:
- **ALWAYS** take time to read all the instructions before using the product.
- Understand and know how to safely stop the product and bleed pressures quickly. Be fully familiar with all controls.
- Keep operating area clear of all people, animals and hazardous objects.
- **DO NOT** overreach or stand on unstable support. Keep good footing and balance at all times.
- It is recommended to carefully read and understand all operating aspects of the pressure washer outlined in this manual to avoid personal injury and/or damage to property and maximize your power washing experience.
- This power washer conforms to CSA and other safety and consumer standards. **DO NOT** modify or rebuild any part of your power washer.
- Watch your balance and footing while using your power washer. Surfaces become slippery when wet and are extra slippery when using a detergent or cleaner.
- **NEVER** operate the power washer in bare feet, sandals, or open-toed shoes.
- **NEVER** let a child use the power washer.

- **DO NOT** touch the high pressure spray with your fingers, hands, feet and be careful to avoid any contact with your eyes as the powerful spray can cause blindness or blast holes in the skin.
- **ALWAYS** wear eye protection to prevent injury to eyes when operating the power washer.
- To avoid accidents causing injury, **ALWAYS** use the trigger safety lock when the power washer is not in use even if the spraying stops for a moment.
- Point the spray gun in a safe direction when beginning to use your pressure washer.
- **NEVER** spray directly at a person, animal, electrical device, or the unit itself. The pressure washer can break glass if hit with direct contact.
- When first using the spray gun, hold the spray gun and lance with two hands when pulling the trigger (one hand to pull the trigger and the other to stabilize the gun) until you get used to the “recoil” from the spray gun.
- When you turn the power switch to the off position, water pressure may remain in the system. To release the pressure, point the spray gun in a safe direction and pull the trigger.
- **NEVER** spray flammable liquids.
- **NEVER** use the power washer in areas that contain combustible dust, liquids or vapors.
- Examine the hose regularly. Replace if damaged. Due to the high pressure involved, it cannot be repaired if cut or damaged.
- Only use detergent specifically formulated for power washers and follow instructions on the detergent’s label.
- Detergent can be harmful to your skin, eyes and lungs. Please be cautious when handling any chemicals. Dish and laundry soap is too thick and will clog the nozzle of your detergent bottle.

**WARNING-** When using this product, basic precautions should always be followed, including the following:  
Read all the instructions before using the product.

- **Read all the instructions before using the product.**
- **To reduce the risk of injury, close supervision is necessary when product is used near children.**
- **Know how to stop the product and bleed pressures quickly. Be thoroughly familiar with the controls.**
- **Stay alert- watch what you are doing.**
- **Do not overreach or stand on unstable support. Keep good footing and balance at all times.**
- **Follow the maintenance instructions specified in the manual.**
- **WARNING- Risk of injection or injury to persons- DO NOT direct discharge stream at persons.**

**IMPORTANT:** Store the power washer indoors in a heated environment to prevent the water in the unit from freezing and expanding. When the water freezes and expands, the high-pressure pump will crack and render the pressure washer inoperable. It is recommended you use pump saver (not included) to protect pumps from freezing and cracking.

## Safety Information

- **NEVER** use hot water with your power washer. It will overheat and damage the seals and components in the high-pressure pump that cannot be repaired.
- **NEVER** leave the power washer “ON” while it is unattended.
- **ALWAYS** turn the water supply “ON” before turning the power washer power to “ON”. Running the pump dry of water will cause damage to the internal components and render the pressure washer inoperable.
- **NEVER** use a water supply to your power washer that exceeds 150 PSI maximum.
- **NEVER** disconnect the high pressure hose from the power washer while the system is pressurized.
- **NEVER** permanently engage the trigger mechanisms on the spray gun.
- **NEVER** operate the power washer unless all components are properly and securely connected.
- **NEVER** allow the power washer pump to run for more than one minute after you have turned off the water supply. This can cause the motor and pump to overheat and fail.
- **WARNING** We do Not Recommend the use an Extension Cord. If an Extension Cord is Required,



#### WARNING

**Electrical shock may cause SEVERE INJURY or DEATH. Heed these warnings.**

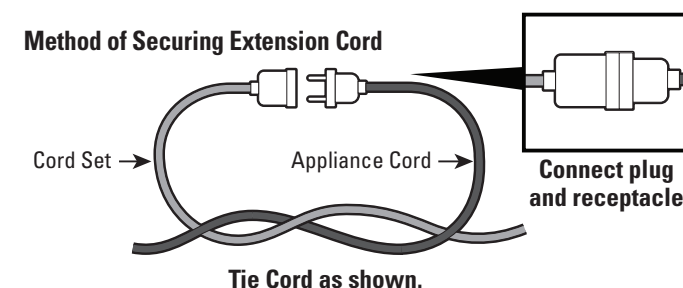
- Do not allow any part of the electric pressure washer to make contact with water while it is in operation. If the appliance becomes wet while turned off, wipe off dry before starting.
- Do not use an extension cord over 50 ft. The pressure washer comes equipped with a 35 ft power cable. Combined length must not exceed 85 ft. Any extension cord must be 12-gauge (or heavier) to safely power the pressure washer.
- Do not touch the appliance or its plug with wet hands or while standing in water. Wearing rubber boots offers some protection.

Extension Cord Chart

Cord Length	50 feet (15.2m)
Min. Wire Gauge (A. W. G.)	12

To prevent the appliance cord from disconnecting from the extension cord during operation, make a knot with the two cords as shown.

#### Method of Securing Extension Cord



Do not abuse the cord. Never pull the pressure washer by the cord or yank the cord to disconnect it from the receptacle. Keep the cord away from heat, oil, and sharp edges.

- **NEVER** use lances or other parts that are not compatible for this specific Powerplay unit.
- **NEVER** spray any electrical outlet with your power washer.
- Inspect the power cord before using. **DO NOT** use it if it is damaged.
- **Injection Hazard:** Equipment can cause serious injury if the spray penetrates the skin. **DO NOT** point the gun at anyone or any part of the body. In case of penetration seek medical aid immediately.
- This system is capable of producing 13,000 kPa. To avoid rupture and injury **DO NOT** operate this pump with components rated less than 13,000 kPa working pressure (including but not limited to spray guns, hose, and hose connections).
- Before servicing, cleaning, or removal of any part, shut off power and relieve pressure.

**WARNING:** To reduce the risk of electrocution, keep all connections dry and off the ground. Do no touch plug with wet hands.

#### SAVE THESE INSTRUCTIONS

#### Servicing of a Double-Insulated Appliance

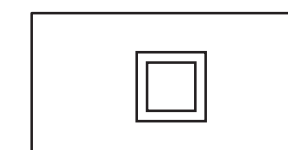
Ground Fault Circuit Interrupter Protection:

The Spyder USA model pressure washer has a ground-fault circuit-interrupter (GFCI) built into the plug of the power-supply cord. A GFCI provides additional protection from the risk of electric shock. If replacement of the plug or cord is necessary, use identical replacement parts that include GFCI protection.

In a double-insulated product, two systems of insulation are provided instead of grounding. Grounding means are not provided for a double insulated product, nor should grounding means be added to the product.

Servicing a double-insulated product requires extreme care and knowledge of the system, and should only be done by qualified service personnel.

A double-insulated product is marked with the words “Double Insulation” or “Double Insulated”. Product may also be marked with symbol shown below:



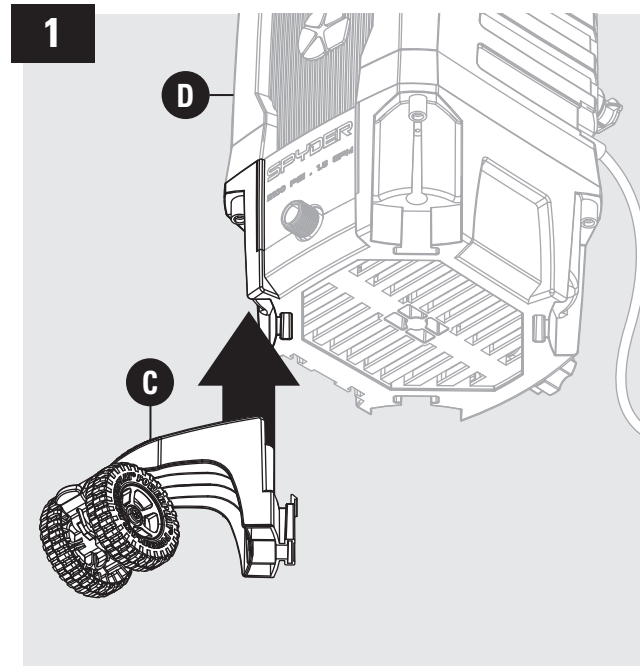
Double Insulated Product

## Assembly Instructions

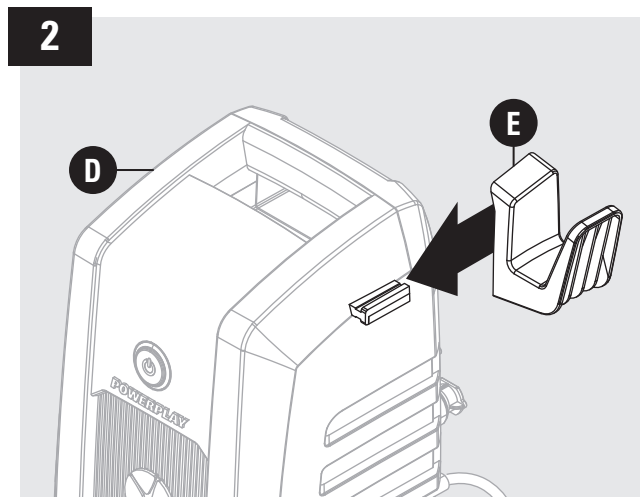
### Estimated Assembly Time: 10 minutes

Before beginning assembly of product, make sure all parts are present. Compare parts with package contents list and hardware contents list. If any part is missing or damaged, **DO NOT** attempt to assemble the product, contact customer service at 855-770-7529 or [custserv@powerplaypro.com](mailto:custserv@powerplaypro.com)

## Assembly Instructions

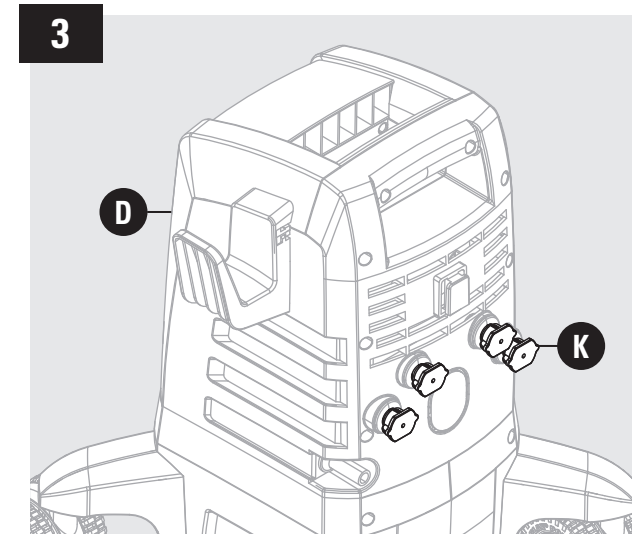


Slide caster (C) tab into slot on bottom corner of power washer unit (D). Repeat for the remaining casters.

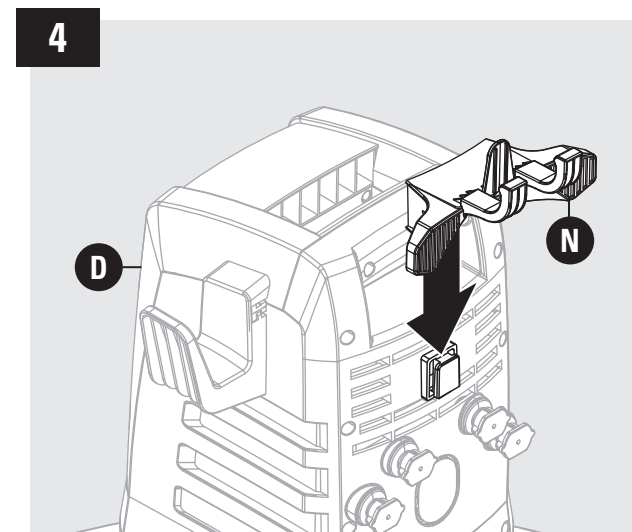


Slide hose holder (E) onto tab on the right side of power washer unit (D).

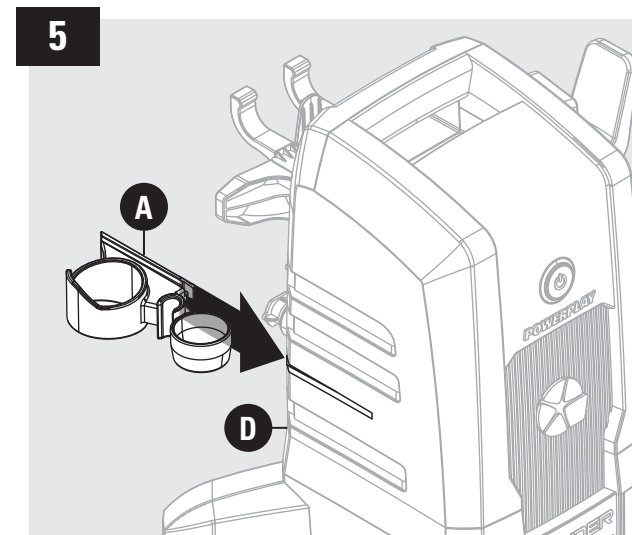
## Assembly Instructions



Spray Tips (K) storage is on back of pressure washer.



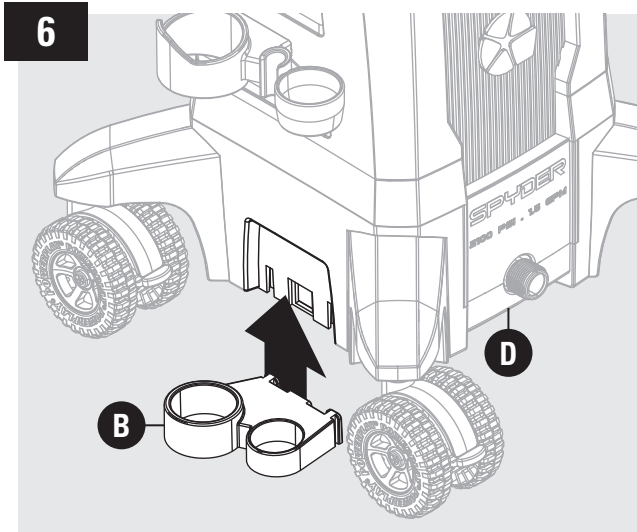
Slide foam cannon bracket (N) onto tab on back of power washer unit (D).



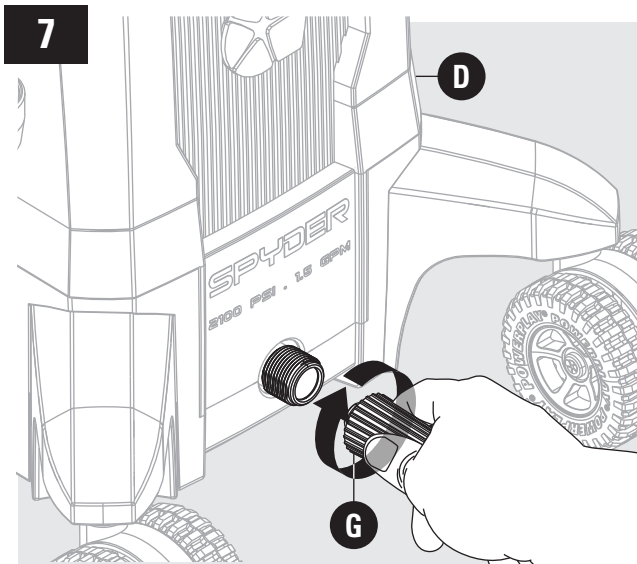
Slide upper spray gun holder (A) tab into slot on left side of power washer unit (D).



## Assembly Instructions

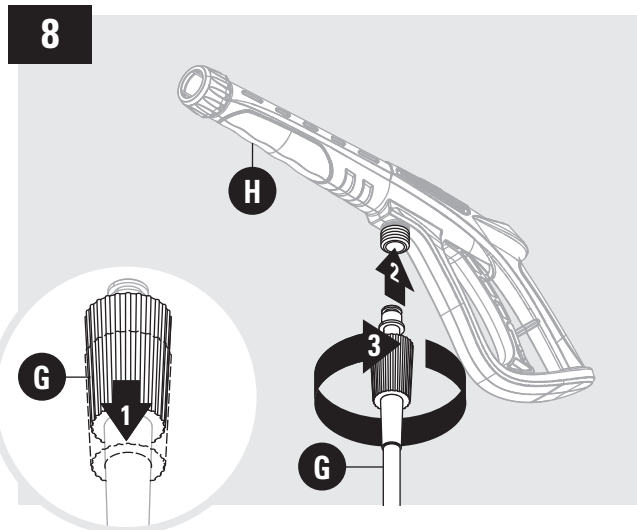


From below, slide lower spray gun holder (B) tabs into slots on bottom left side of power washer unit (D).



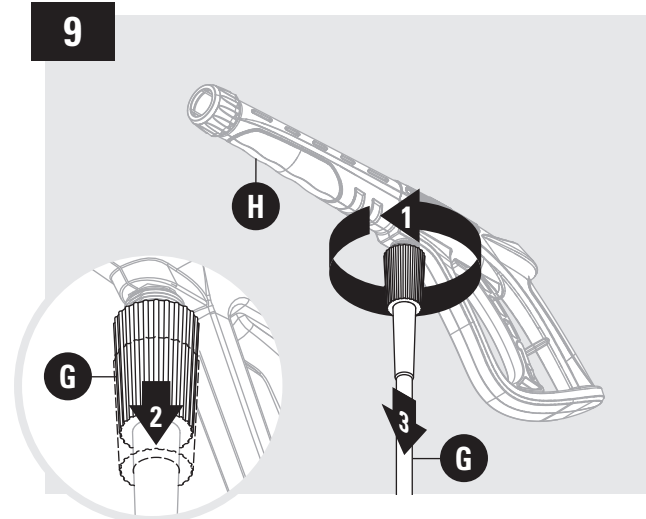
Hold back the collar at one end of the hose (G). Push firmly to connect hose fitting to the water outlet tube on the front of the power washer unit (D). Twist the collar clockwise to secure. Confirm hose is locked into the water outlet by slightly pulling on the hose.

**Note:** **DO NOT** use pliers or locking pliers to tighten.

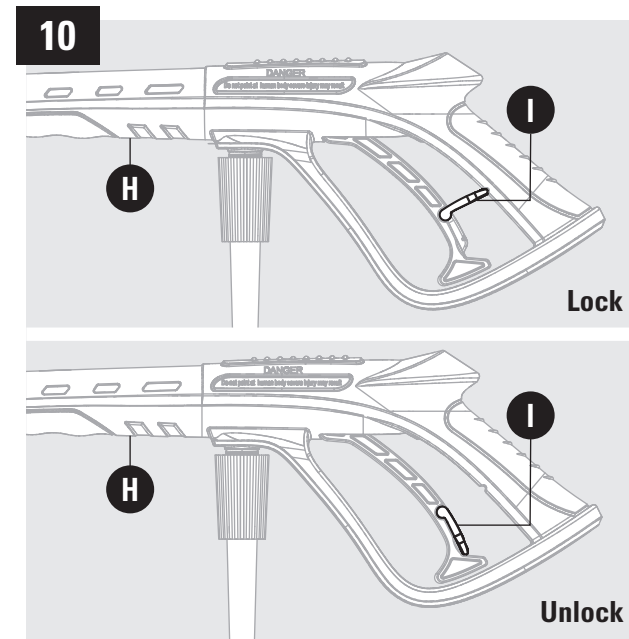


Hold back the collar at the other end of the hose (G). Push firmly to connect hose fitting to spray gun (H). Twist collar clockwise to secure. Confirm hose is locked into spray gun by slightly pulling on them.

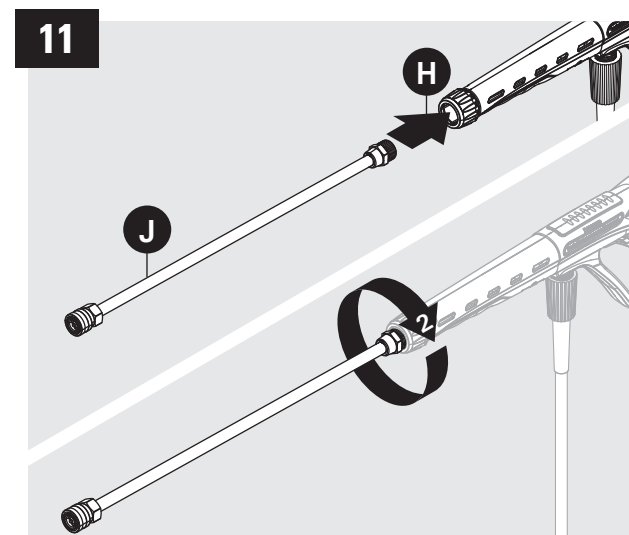
## Assembly Instructions



To remove the hose, twist collar counter clockwise then pull back to release the hose (G) connection from the spray gun (H).



To lock the trigger of the spray gun (H), aim the gun away from you and pull up on the safety lock (I). After doing so, squeeze or pull the trigger to make sure it is locked and will not move. **ALWAYS** keep spray gun (H) locked when not in use.

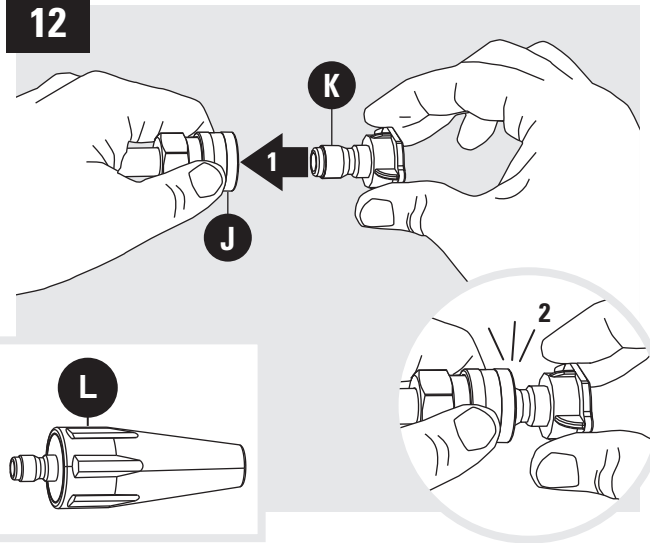


Insert lance (J) into spray gun (H) and turn clockwise to tighten (**DO NOT** overtighten).

**Note:** **ALWAYS** engage the safety lock (I) when changing lances and spray tips to ensure they do not accidentally eject with force during removal.

## Assembly Instructions

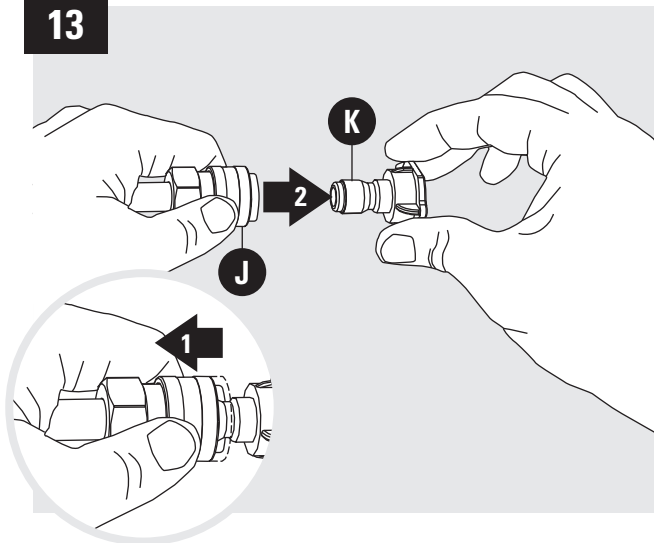
12



Attach spray tips (K) or turbo nozzle (L) into end of lance (J) by pressing selected tip into place. It will make a “click” sound when firmly in place.

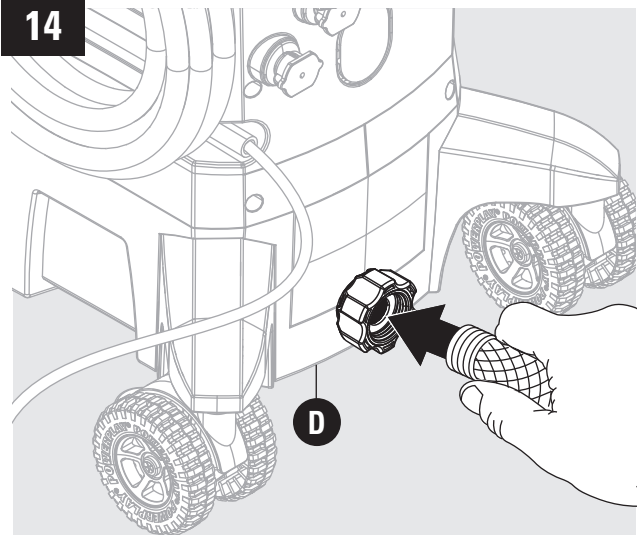
**Note:** ALWAYS engage the locking collar forward (I) when changing lances and spray tips to ensure that they do not accidentally eject with force during removal.

13



To remove spray tip (K), pull back on collar of lance (J) and pull out spray tip.

14



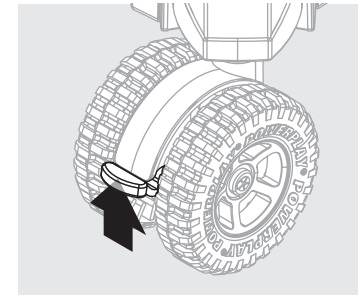
Attach a garden hose to the garden hose adapter on the back of the power washer unit (D).

**Note:** Flush out garden hose before connecting to garden hose adapter.

Assembly is now complete. Read and observe all safety instructions before turning on the power washer.

## Important Initial Startup

1. Ensure wheel brakes are OFF (lever in UP position) to roll. Lever in DOWN position locks the wheels.



2. Release the spray gun safety lock (I) on the spray gun (H). Remove spray tips/nozzles from the lance. Point the spray gun in a safe direction and squeeze the trigger until there is a steady stream of water, releasing water and air out of the hose. Then turn the machine to the “ON” position starting the motor, press and hold the trigger on the spray gun for 30 Seconds to flush the system of any foreign material that may block the spray tip or nozzle, causing the machine to “pulse on and off the pressure switch.” Once completed insert the spray tip of your choice.

## Operating Instructions

### Operating Instructions

1. Turn on water supply at the faucet.
2. The Push Start Button has 2 positions press once for “ON” (IN), Press again for “OFF (OUT). Make sure the Push Start Button is in the Off Position (Out).
3. Completely unwind the power cord and plug into a grounded 120 volt outlet.
4. Release the spray gun safety lock (I) on the spray gun (H). Point the spray gun in a safe direction and squeeze the trigger until there is a steady stream of water, releasing water and air out of the hose. Lock the spray gun.
5. Turn the power switch to the “ON” (IN) position. The unit will run on for 1 - 2 seconds and shut off. This is a normal function of the auto-start feature.
6. Begin power washing by squeezing the trigger all the way into the handle.
7. Release the trigger to stop the power washer.
8. Allow the motor to come to a complete stop before squeezing the trigger again.
9. Squeezing the trigger rapidly will cause the auto-start feature to miss an on/off cycle and may prevent the washer from turning on. Use slow, deliberate trigger pulls to avoid this.
10. ALWAYS test a small area to avoid damaging the surface.

### Operation Tips

- It is normal to hear the motor run intermittently when the trigger is not being squeezed. The pump is priming itself to operate when the trigger is squeezed.
- Turn off the power washer if not being used after five minutes.
- The O-rings in the hose should be cleaned regularly and lubricated with non-water soluble grease such as petroleum jelly.
- Keep the spray tip cleaning wire nearby for unclogging the tips.

### How to Avoid Damaging Surfaces

- Damage to surfaces being cleaned occurs when the impact force of the water pressure exceeds the durability of the surface. Bare wood can be penetrated; paint can be peeled off, etc. You can vary the force of the power washer by adjusting:
  1. The angle of the nozzle to the surface being cleaned.
  2. The distance from the nozzle to the surface being cleaned.
- NEVER use a narrow, high-pressure stream of water on soft surfaces.
- When cleaning windows, it is recommended to use a minimum of 25° spray tip to protect the glass. A 0° spray tip is too concentrated of a spray and may shatter the window. Position spray tip at a 45° angle, approximately four to five feet away from the window. Squeeze the trigger and vary the spray pattern and angle until optimum cleaning efficiency is achieved.

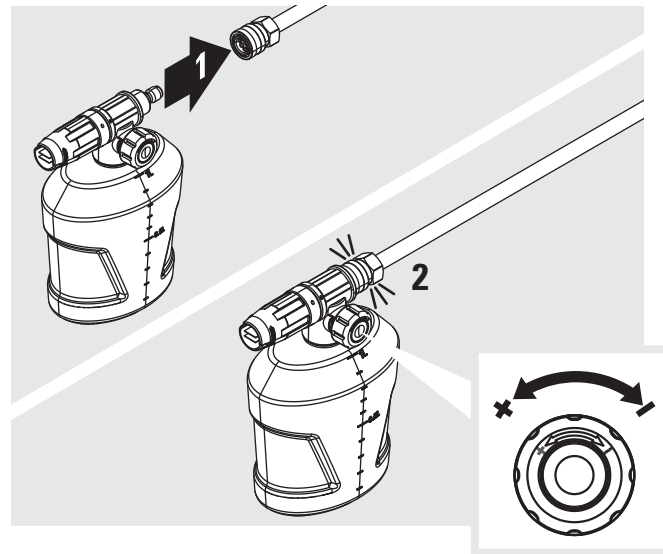
## Operating Instructions

### Using Detergents

- When using detergent, fill foam cannon with a properly formulated detergent-to-water ratio, following instructions on the container.
- Use detergents designed for high pressure power washers. Hardware stores or home centers may offer detergents for different cleaning projects. The cleaning solution should be the consistency of water in order to prevent foam cannon from clogging.
- **ALWAYS** spray detergent on a dry surface.
- **DO NOT** pre-soak area. Wetting the surface first dilutes the detergent and reduces its cleaning ability.
- **DO NOT** allow detergent to dry on surface. On vertical surfaces, apply detergent to lower surfaces first and work your way up to prevent streaks in the dirt and grime. Rinse detergent by pressure washing from bottom up for same reason.
- For tough stains, it may be necessary to reapply the detergent and use a bristled brush to scrub the stain. Subsequent power washing after brushing should successfully remove dirt.

### Using the Foam Cannon

1. Remove spray tip from lance and attach foam cannon.



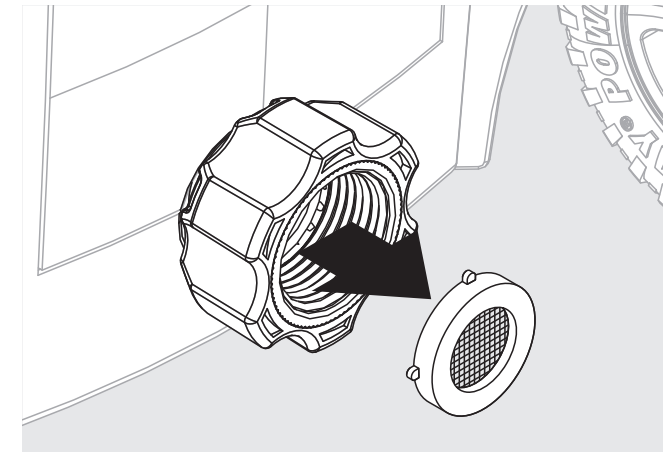
2. Unscrew fluid tank from foam cannon valve assembly.
3. Fill fluid tank with water (for best results, use warm water.)
4. Add 1-3 ounces of your favorite detergent to the fluid tank.
5. Attach fluid tank to foam cannon valve and attach assembly to the gun. Use the control knob to change the flow of soap + (more) or - (less).
6. When finished, run clean plain water through the pressurized foaming system to purge soap from the internal components.

## Care and Maintenance

### Cleaning Garden Hose Adapter

The screens inside the garden hose adapter should be cleaned periodically.

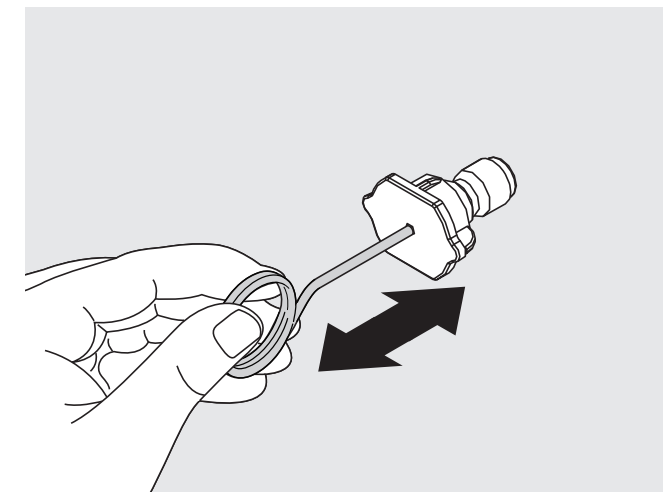
1. Rinse with clean water.
2. Place back into the adapter.



### Cleaning Spray Tips

A clogged spray tip can significantly reduce water pressure and/or cause the unit to pulsate while spraying.

1. Turn off the unit and the water supply.
2. Relieve any pressure trapped in the hose by squeezing the trigger 2-3 times, then lock the spray gun.
3. **ALWAYS** remove spray tips before cleaning.
4. Using the spray tip cleaner provided, insert the wire into the spray tip hole and slide back and forth until debris is dislodged.
5. Back flush water through the spray tip using a garden hose and highest pressure available (hold thumb over water nozzle to increase pressure).



### Moving and Storage Instructions

1. When the pressure washing session is complete, turn off the power switch.
2. Unplug the power cord from the outlet.
3. Turn off the water supply. Pull the trigger on the spray gun 2-3 times to drain out excess water and to release any remaining water pressure.
4. Disconnect the garden hose adapter from the water inlet. **DO NOT** allow the power washer to run with no water flowing through it.
5. It is recommended to run pump saver through the pump and high pressure hose.
  - 5a. Install the pump saver by attaching the bottle to the garden hose adaptor and open the valve on the bottle.
  - 5b. Plug in the power-cord and turn the pressure washer on/off switch to the "on" position and pull the trigger for 5 seconds in order to activate the pump and purge the pump saver through the pump system and hose.
  - 5c. Once you are done, turn the on/off switch to the "off" position, pull the trigger to release the internal pressure and then disconnect the hose and accessories from the power washer.
6. Remove hose from spray gun.
7. Remove lance from spray gun. Place the gun in the holder on the side of the unit. Place lance into any of the slots in the back of the unit.
8. Hook the power cord around the power cord holder.

### Winterizing

1. Disconnect all water connections.
2. Turn on the machine for a few seconds until there is no water left in the machine. Turn off immediately.
3. Make sure that the hose does not become kinked.
4. Store machine and accessories in a room that will not reach 32°F (0°C).
5. Do not store near a furnace or other sources of heat. Operate the pressure washer with non-corrosive/non-toxic anti-freeze, a pump saver, or a pump protector before storing for the winter.

**NOTE:** Using a pump saver is recommended.



## Care and Maintenance

Problem	Corrective Action
Unit will not turn on.	<ol style="list-style-type: none"> <li>1. Make sure the power washer is OFF. Plug the electrical cord into a grounded 120 volt outlet. If the electrical cord will not plug into your outlet, your electrical outlet is not properly grounded and should not be used. Use another electrical outlet.</li> <li>2. Pull trigger on gun to ensure water flow.</li> <li>3. If it is still not working, call Customer Service.</li> </ol> <p><b>Note:</b> When power switch is turned on, the power washer will turn on by itself for 1-2 seconds and shut off.</p>
The unit is running but there is no water flow.	<ol style="list-style-type: none"> <li>1. Check the water source. Unclog the spray tip on the lance. (See spray tip cleaning instructions under "Cleaning Spray Tip".) Or, remove the lance and spray directly out of the spray gun. This will indicate if the problem is with the lance.</li> </ol>
Water is leaking where the hose connects to the spray gun.	<ol style="list-style-type: none"> <li>1. Make sure there is an o-ring at the end of the metal tip of the hose. If no o-ring is present, the connection between the hose and spray gun will leak. O-Ring replacements are included in the package contents.</li> </ol>
The power washer turns on for 2 seconds, shuts off, and will not turn back on. Is the unit defective?	<ol style="list-style-type: none"> <li>1. When the water is connected, the accessories are assembled properly, and the power switch is turned on, the power washer may turn on for 1 - 2 seconds to prime the pump. It automatically shuts off and waits for the spray gun trigger to be pressed. When the trigger is pressed, water starts flowing through the pump. The water sensor in the pump detects the moving water and automatically turns the power washer on.</li> <li>2. Turn the power switch to 'Off', press the trigger on the spray gun so that you have a steady stream of water. Continue pressing the trigger, open the spray gun and at the same time, turn the power switch 'On'.</li> </ol>
Unit pulsating when in use	<ol style="list-style-type: none"> <li>1. Spray tip partially blocked with foreign matter (dirt, water scale).</li> <li>2. Remove spray tip and clean with supplied tip cleaner. Ensure foreign matter is removed from the barrel of the spray tip by lightly knocking the connector end of the spray tip on a solid surface.</li> </ol>
Motor starting and stopping	
Fluctuating pressure	<ol style="list-style-type: none"> <li>1. Check the hoses and connections are airtight. Remove spray nozzle and run clear water through the system to try and clear any debris.</li> </ol>
Machine not reaching high pressure	<ol style="list-style-type: none"> <li>2. Make sure water source is fully open. Use 3/4 in. garden hose. Check garden hose for kinks, leaks, and blockages, or replace hose.</li> </ol>
Can't remove lance from spray gun:	<ol style="list-style-type: none"> <li>1. Lances are attached and removed from the spray gun in the same manner. Insert the quick-release bayonet end of the lance/foam cannon into the spray gun. Press the lance and spray gun together (about a 1/8") and turn clockwise. The lance will lock in place. Remove the lance by reversing this procedure.</li> <li>2. Or, hold the lance in an upright position with the nozzle end on the floor. Push the whole assembly straight down to loosen the connection, and then follow the removal process again. You may also spray soapy water or a lubricant in the area where the lance connects to the spray gun.</li> </ol>
Machine will not roll	<ol style="list-style-type: none"> <li>1. Ensure brake levers on wheels are in the "UP" (OFF) position.</li> </ol>

## Warranty

**The two-year limited consumer warranty of this product is covered by Powerplay Corporation.**

This product has a 2 (two) year limited consumer warranty. Please read the following carefully to understand what the warranty entails:

This product is under warranty to the original retail consumer against defects in material and workmanship for a period of 2 (two) years. This limited two-year warranty applies only to products used in consumer applications and is void in rental or any commercial application. Reasonable care must be used in conformity with safety, assembly, operation and maintenance instructions in the owner's manual. Failure to follow these instructions will void this warranty. The warranty is not transferable or assignable.

This warranty does not cover commercial use, improper maintenance, normal wear, unauthorized alterations, misuse, accidents, product failure due to external causes and neglect.

This warranty covers replacement parts due to defects in parts, materials, and workmanship found to be defective through normal use. This warranty gives you special legal rights and you may also have other rights which vary from state to state.

### Warranty Process

Keep your original receipt of purchase in case of warranty claim. If your power washer develops a problem, contact Customer Service:

- Contact Customer Service by calling our toll-free number at 1-855-770-7529 extension 252 or email us at, [custserv@powerplaypro.com](mailto:custserv@powerplaypro.com). Customer Service is available Monday - Friday 8:00 a.m. to 4:00 p.m. Eastern Standard Time (EST). A customer service representative and/or technician will work with you to fix the problem.

If the power washer needs to be returned for repair, shipping costs to the company must be paid by the customer.

**A Return Merchandise Authorization (RMA) Number will be issued for the return.** Upon receiving the power washer, the company will repair or replace the unit. We will send the unit back to customer at no charge.

Please note: Power washers sent to the company **without an RMA Number will NOT be accepted** and shipped back at the expense of the sender.

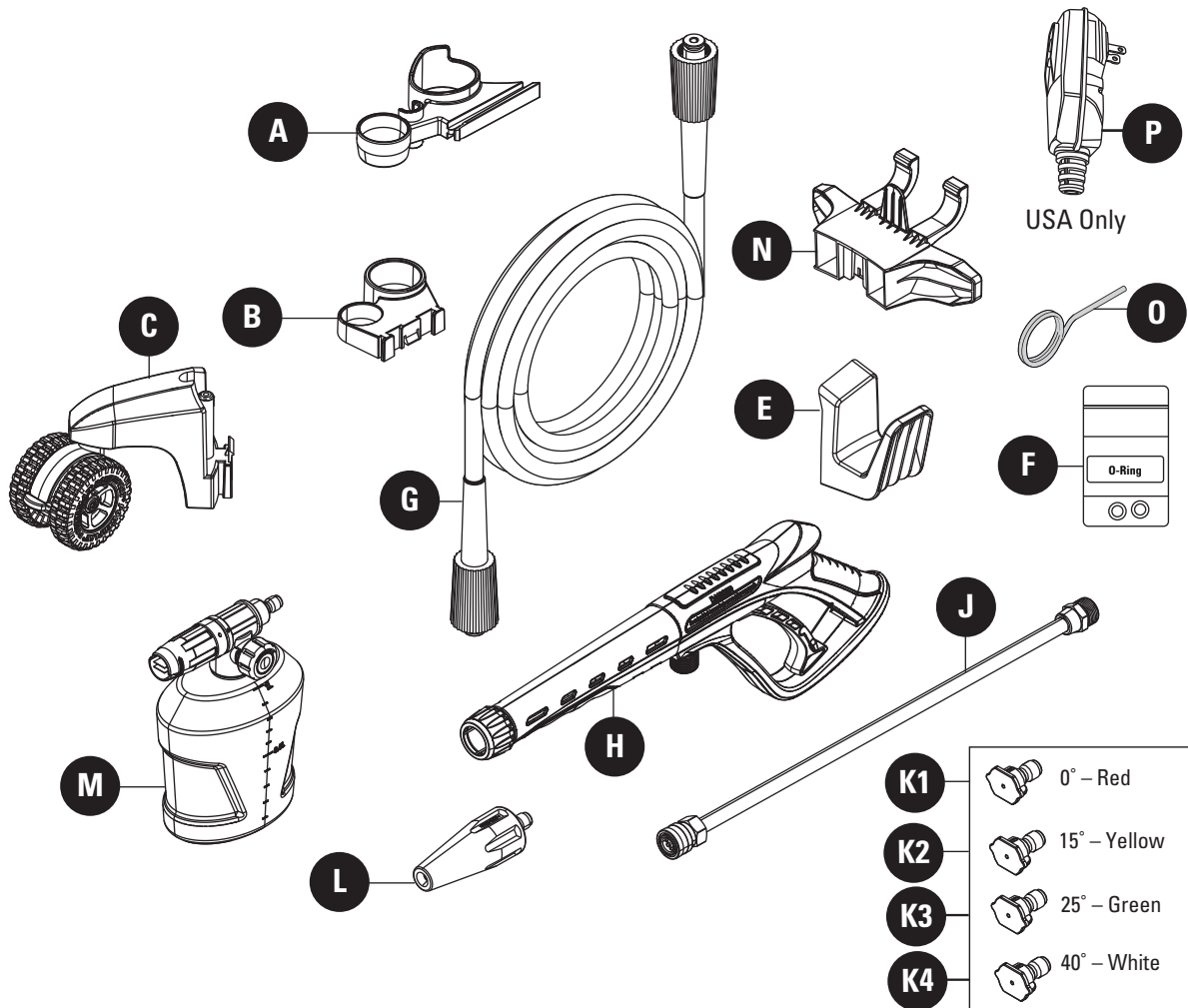
### Return address:

Powerplay Corporation  
1850 Boulevard Hymus  
Dorval, Quebec H9P1J7  
Canada



# Replacement Parts

For replacement parts, call our customer service department at 1-855-770-7529. 8:00 a.m. - 4:00 p.m., EST, Monday - Friday or order online at [www.powerplaypro.com](http://www.powerplaypro.com).



Part	Description	Part #
A	Upper Spray Gun Holder	PWXA156
B	Lower Spray Gun Holder	PWXA157
C	Casters	PWXA145
E	Hose Holder Bracket	PWXA158
F	O-Ring Replacement Kit	PWXA096
G	15' Flexwash® Pro Hose with M22 Fittings	PWXA013-B
H	Spray Gun with M22 Fitting	PWXA008-B
J	Steel Lance with QC	PWXA012

Part	Description	Part #
K1	0° High Pressure Spray Tip - Red	PWXA015
K2	15° High Pressure Spray Tip - Yellow	PWXA016
K3	25° High Pressure Spray Tip - Green	PWXA020
K4	40° High Pressure Spray Tip - White	PWXA146
L	Turbo Nozzle	PWXA032
M	1000 ML Foam Cannon with QC	PWXA144
N	Foam Cannon Bracket	PWXA159
O	Spray Tip Cleaner	PWXA123
P	GFCI Assembly (USA Model)	PWXA092